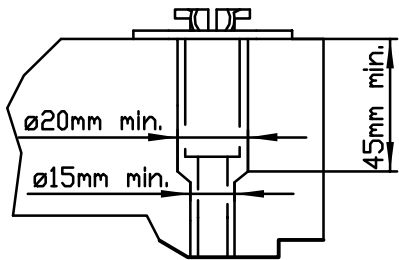


Installation instruction for switching lock 1141

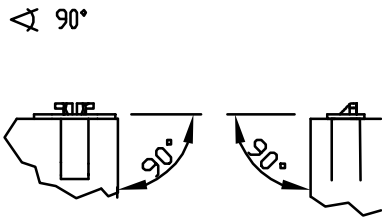
This switching lock can be also used for panic doors. In this case use the switching lock only in combination with proofed and accredited strike plates.
 The respective manufacturers are shown in the EC-Declaration of Conformity of EN 179 and EN 1125
 For mounting use only the materials and tools which are shown in this instruction.
 These installation instruction should be passed to the end user by the installer and keep reliably up to the end of the working life .

BMH
 Beyer & Müller GmbH + Co.KG
 Hauptstraße 277
 D-42579 Heiligenhaus
 www.beyer-und-mueller.de

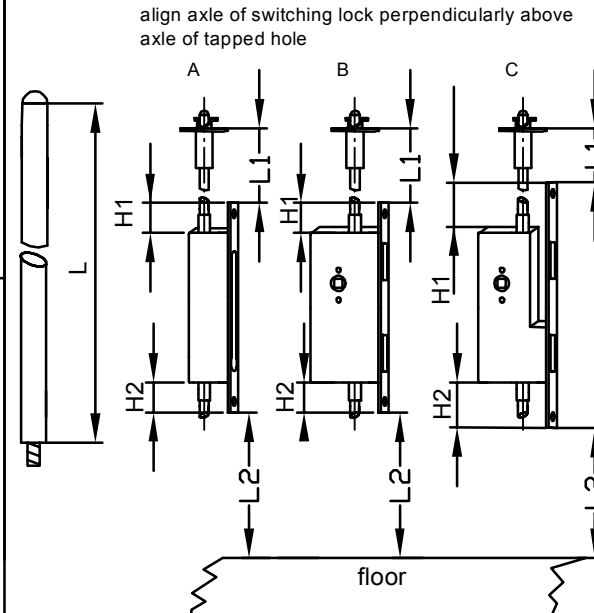
1) preparation of door leaf



2) align swichting lock



4) determining the length L of the shoot bolt



A	1155 upper rod L= L1+H1+18mm lower rod L= L2+H2+17mm
B	6130,1130,1131,1132,1133, 1134,1135,1136,1137 upper rod L= L1+H1+20mm lower rod L= L2+H2+19mm
C	1138,1139,1152,1153 upper rod L= L1+H1+20mm lower rod L= L2+H2+19mm

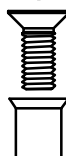
3) fixing bolt 2 pieces (not included)

self tapping screw DIN7982 ST 4,2x13

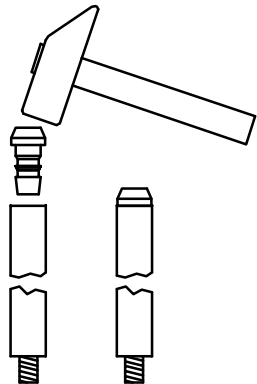
recessed head screw 4,5 x16

screw DIN 965 M5 x12

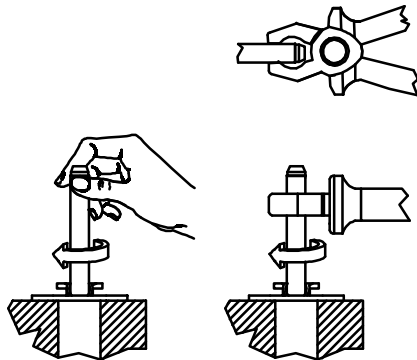
riv nut M5



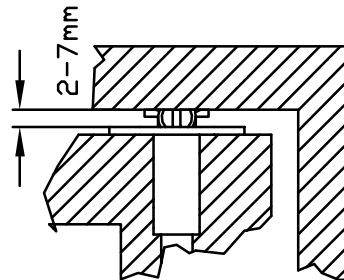
5) Drive in sliding stopper only in unscrewed status. Do not damage the thread at the end of the shoot bolt.



6) Turn shot bolt in & tighten firmly. Do not damage bolt or surface of bolt respectively.



7) shim face plate if there is more door clearance



Attention: chamfer striking plate where latch bolt hits

8) function test



if jammed see point 2 and point 7